

Specification

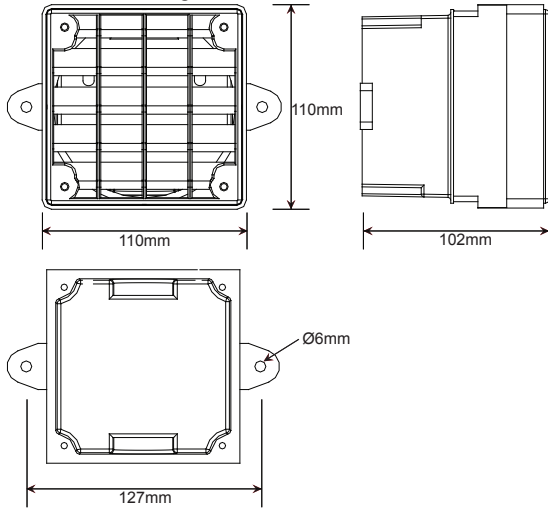
- Voltage : 12Vdc
- Current : <50mA
- Cable : 0.28mm² ~ 2.5mm²
- Sound Output : 75 ~ 95dB@1m
- Temperature Range :- 25°C ~ 70°C
- Outdoor Use : Weatherproof

Options

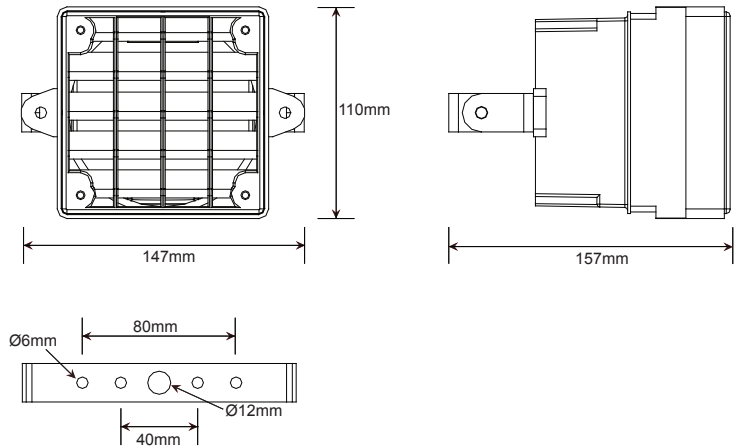
- Security Cage - (MSQCG)
- Fixed Angle Bracket - (MSQFB)
- Power Supply - (MSQPS)
- PIR (N/O) - (MSQPIR)

Dimensions

Direct Wall Mounting

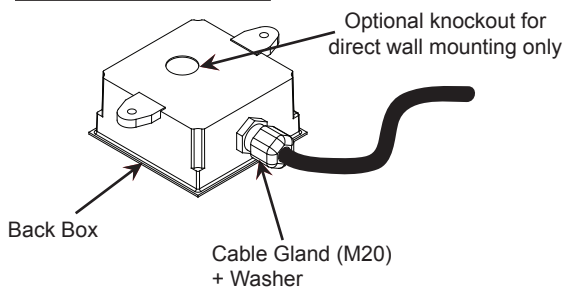


Bracket Wall Method

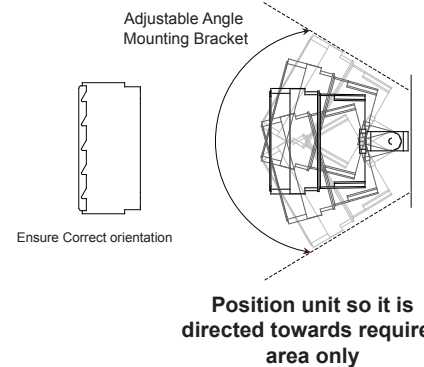
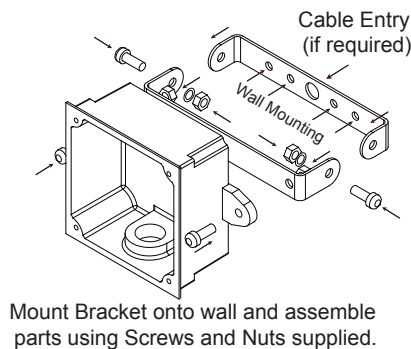


Installation

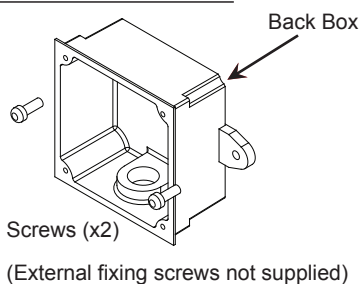
Back Box Preparation



Bracket Wall Method

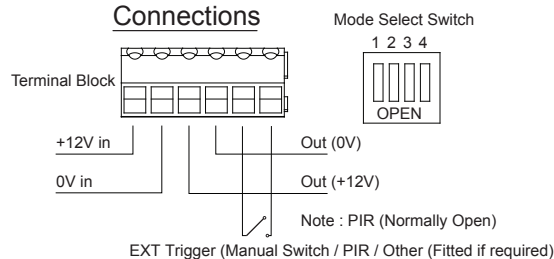


Direct Wall Mounting



Note :- use suitable screws for the surface you are fixing the Mosquito Sounder to. Ensure all cable entries are suitably sealed for water ingress.

Connections



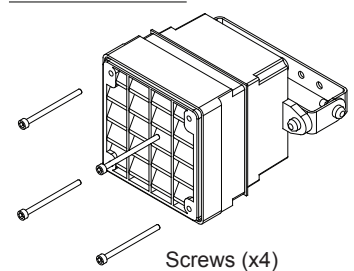
	Switch Setting			
	1	2	3	4
	Timer	EXT Trigger	Sound Trigger	Volume Level
Open	Continuous *	Off	Off	Indoor (75~90dB)
Closed	Timer ** (on for 20mins)	On	On	Outdoor (80~95dB)

Note : Sound trigger Mode 'ON'- If the ambient noise exceeds 65dB @ 1m from the microphone, the unit will be triggered and the Mosquito Sounder activated.

* Open - runs continuously (Not for use in the U.K.)

** Closed - 20min Timer - (U.K. use)

Final Assembly



When Wiring is completed, Mount front of Mosquito Sounder onto the back box and fix using the screws provided.

Note : Ensure cables do not become trapped in the casing.